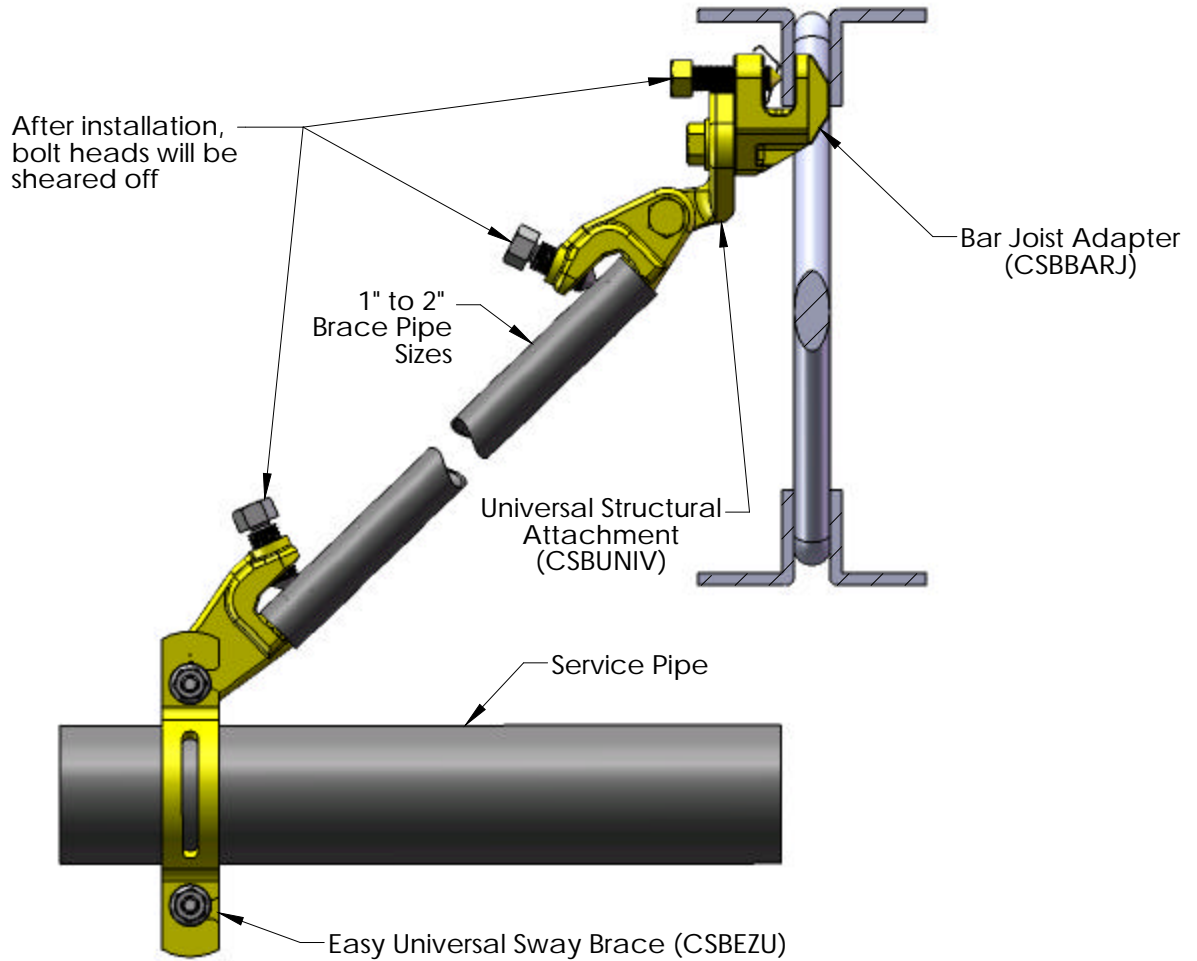


Easy Universal Sway Brace (CSBEZU) Shown with Bar Joist Adapter (CSBBARJ) And Universal Structural Attachment (CSBUNIV)



WARNING:

1. ERICO products shall be installed and used only as indicated in ERICO product instruction sheets and training materials. Instruction sheets are available at www.erico.com and from your ERICO customer service representative.
2. ERICO products must never be used for a purpose other than the purpose for which they were designed or in a manner that exceeds specified load ratings.
3. All instructions must be completely followed to ensure proper and safe installation and performance.
4. Improper installation, misuse, misapplication or other failure to completely follow ERICO's instructions and warnings may cause product malfunction, property damage, serious bodily injury and death.
5. Products that are manufactured using spring steel components shall be used only in a non-corrosive indoor environment.
6. All pipe supports, hangers, intermediate components and structural attachments must ONLY be used as described herein and are NEVER to be used for any other purpose.

NOTE: All load ratings are for static conditions and do not account for dynamic loading such as wind, water or seismic loads, unless otherwise noted.

The customer is responsible for:

- a. Conformance to all governing codes.
- b. The integrity of structures to which the products are attached, including their capability of safely accepting the loads imposed, as evaluated by a qualified engineer.
- c. Using appropriate industry standard hardware as noted above.

SAFETY INSTRUCTIONS:

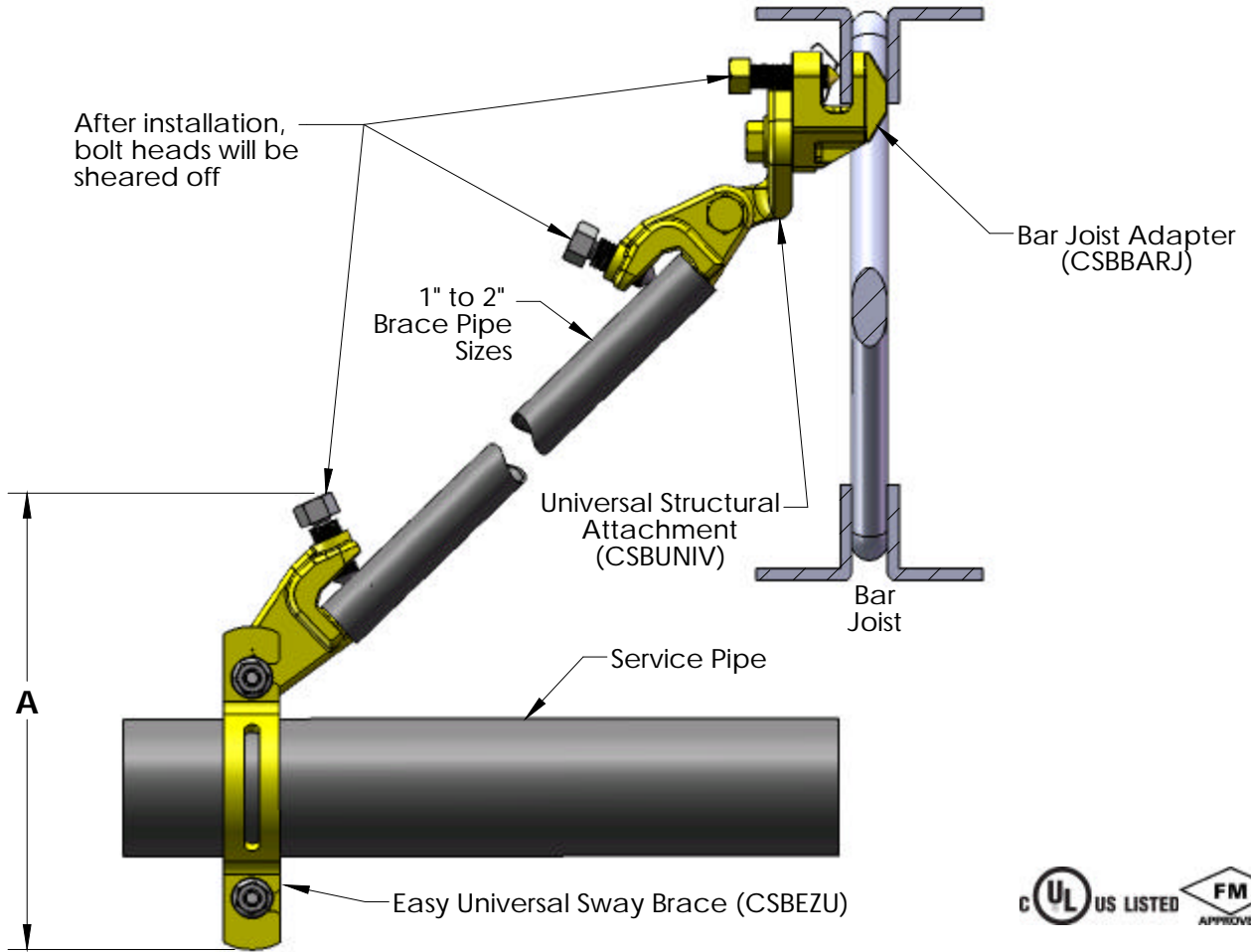
All governing codes and regulations and those required by the job site must be observed. Always use appropriate safety equipment such as eye protection, hard hat, and gloves as appropriate to the application.

UL is a registered trademark of Underwriters Laboratory, Inc.
FM is a registered certification mark of FM Approvals LLC, LTD.

CADDY, CADWELD, CRITEC, ERICO, ERIFLEX, ERITECH, and LENTON are registered trademarks of ERICO International Corporation.



Easy Universal Sway Brace (CSBEZU) Shown with Bar Joist Adapter (CSBBARJ) And Universal Structural Attachment (CSBUNIV)



Part Number	Description	Service Pipe Size in [mm]	UL Listed Load SCH 7 Lateral Bracing lbs [N]	UL Listed Load SCH 10/40 Lateral Bracing lbs [N]	UL Listed load SCH 7 Longitudinal Bracing lbs [N]	UL Listed Load SCH 10/40 Longitudinal Bracing lbs [N]	FM Approved Design Load SCH 7/10/40 Lateral Bracing lbs [N]	FM Approved Design Load SCH 7/10/40 Longitudinal Bracing lbs [N]	A in [mm]
CSBEZU0100EG	1" [25 mm] EZ UNIV SWAY BRACE EG	1 [25]	N/A	655 [2,913]	N/A	655 [2,913]	2,400*** [10,675]	1,000*** [4,448]	6-7/8 [174.6]
CSBEZU0125EG	1-1/4" [32 mm] EZ UNIV SWAY BRACE EG	1-1/4 [32]	655 [2,913]	655 [2,913]	655 [2,913]	655 [2,913]	2,400 [10,675]	1,000 [4,448]	7-3/8 [187.4]
CSBEZU0150EG	1-1/2" [40 mm] EZ UNIV SWAY BRACE EG	1-1/2 [40]	655 [2,913]	655 [2,913]	655 [2,913]	655 [2,913]	2,400 [10,675]	1,000 [4,448]	7-3/4 [196.9]
CSBEZU0200EG	2" [50mm] EZ UNIV SWAY BRACE EG	2 [50]	3,000** [13,344]	3,000** [13,344]	655 [2,913]	655 [2,913]	3,300 [14,679]	1,200 [5,337]	8-1/8 [206.4]
CSBEZU0250EG	2-1/2" [65 mm] EZ UN SWAY BRACE EG	2-1/2 [65]	3,000** [13,344]	3,000** [13,344]	1,265 [5,267]	1,265 [5,267]	3,300 [14,679]	1,200 [5,337]	8-7/8 [225.4]
CSBEZU0300EG	3" [80 mm] EZ UNIV SWAY BRACE EG	3 [80]	3,000** [13,344]	3,000** [13,344]	1,265 [5,267]	1,265 [5,267]	3,300 [14,679]	1,200 [5,337]	9-3/8 [238.1]
CSBEZU0400EG	4" [100 mm] EZ UNIV SWAY BRACE EG	4 [100]	3,000** [13,344]	3,000** [13,344]	1,265 [5,267]	1,265 [5,267]	4,500 [20,016]	1,500 [6,672]	10-5/8 [269.9]
CSBEZU0500EG	5" [125 mm] EZ UNIV SWAY BRACE EG	5 [125]	3,000** [13,344]	3,000** [13,344]	1,265 [5,267]	1,265 [5,267]	4,500 [20,016]	1,500 [6,672]	12-1/8 [308.0]
CSBEZU0600EG	6" [150 mm] EZ UNIV SWAY BRACE EG	6 [150]	3,000** [13,344]	3,000** [13,344]	1,265 [5,267]	1,265 [5,267]	4,500 [20,016]	1,700 [7,561]	13-5/8 [346.1]
CSBSTU0800EG*	8" [200 mm] STD UNIV SWAY BRACE EG	8 [200]	N/A	3,000** [13,344]	N/A	2,015 [8963]	5,500*** [24,465]	4,250*** [8,904]	15-3/4 [400.1]
CSBSTU1000EG*	10" [250 mm] STD UNIV SWAY BRACE EG	10 [250]	N/A	3,000** [13,344]	N/A	3,000** [13,344]	5,500*** [24,465]	4,250*** [8,904]	18 [457.2]

* CSBSTU0800 and CSBSTU1000EG do not include slotted holes. Refer to Standard Universal Sway Brace brochure for additional details.

** When using angle iron instead of brace pipe load ratings reduced to 2,015 lbs (8,963 N).

*** Not applicable for SCH 7.



CADDY, CADWELD, CRITEC, ERICO, ERIFLEX, ERITECH, and LENTON are registered trademarks of ERICO International Corporation.

TECHNICAL SUPPORT:
www.erico.com

AD0009_B 2 OF 2

© 2009 ERICO International Corporation

